

TRUE NORTH



“FROM WHERE I STAND,
THIS POWERFUL WOODSTOVE IS
THE BEST VALUE AVAILABLE.

IT KEEPS US WARM EVEN THROUGH
THE COLDEST WINTER.”

Les Stroud - Survivor

As seen on OLN and
Discovery Channel.
www.lesstroud.ca



PHOTOGRAPH COURTESY OF LES STROUD

TRUE NORTH
DESIGNED WITH THE VALUE
CONSCIOUS BUYER IN MIND.
TRUE NORTH WOODSTOVES
DELIVER POWER AND
DEPENDABILITY.

THIS RUGGED WOOD STOVE
IS DESIGNED FOR THE
SERIOUS WOOD BURNER,
USER FRIENDLY OPERATION,
STRAIGHT IN LOADING AND CLEAN
GLASS ARE JUST A FEW OF THE
OUTSTANDING FEATURES.

TRUE NORTH is a proud supporter of
The Land Conservancy of BC.

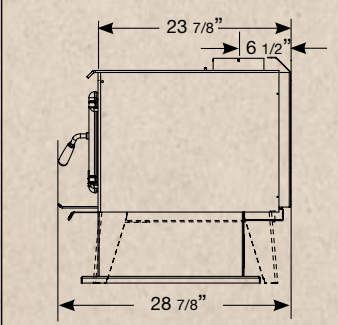
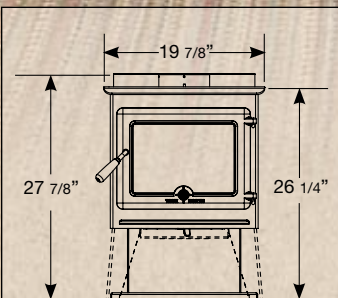


TRUE NORTH

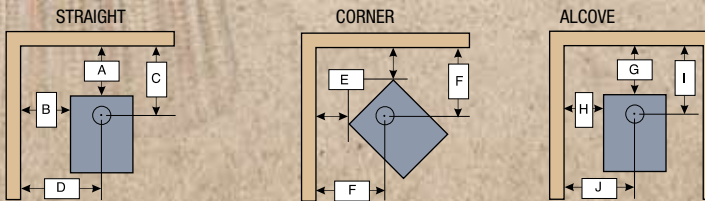


- STRAIGHT IN FUEL LOADING IS SAFER, CLEANER AND MORE USER FRIENDLY
- ONE SIMPLE EASY TO USE COMBUSTION CONTROL
- 1.9 CUBIC FOOT FIREBOX
- STAINLESS STEEL SECONDARY COMBUSTION SYSTEM
- AIR WASH FOR CLEANER CERAMIC GLASS
- OUTSIDE COMBUSTION AIR CAPABLE
- PEDESTAL AND LEG MODELS
- CAST IRON DOOR
- REAR HEAT SHIELD FOR REDUCED CLEARANCES TO COMBUSTIBLES
- COMPLETELY ASSEMBLED FOR QUICK INSTALLATION
- MOBILE HOME APPROVED
- SIDE HEAT SHIELDS

Heat Output	Cord Wood	68,000 BTU
	EPA Test Fuel	33,000 BTU
Efficiency (LHV)	82.2%	Log Size
Emissions	4.1 gm/hr.	18" Max.



MINIMUM CLEARANCES TO COMBUSTIBLES



Minimum Clearance from top of Stove to Ceiling = 56.75 in. / 1.44 M.

The stove may be installed on a combustible floor provided non-combustible ember protection is used. Please refer to manual for details.

WITHOUT SIDE SHIELDS	A	B	C	D	E	F
RESIDENTIAL - Single Wall Vertical or Horizontal Connector	10 in. / 254 mm	20 in. / 508 mm	16.5 in. / 419 mm	30 in. / 762 mm	12 in. / 305 mm	22.5 in. / 572 mm
RESIDENTIAL - Double Wall Vertical or Horizontal Connector	6.5 in. / 165 mm	20 in. / 508 mm	13 in. / 330 mm	30 in. / 762 mm	12 in. / 305 mm	22.5 in. / 572 mm
MOBILE HOME - Double Wall Vertical only Connector	10 in. / 254 mm	27 in. / 686 mm	16.5 in. / 419 mm	37 in. / 940 mm	19 in. / 483 mm	29.5 in. / 749 mm
WITH SIDE SHIELDS	A	B	C	D	E	F
RESIDENTIAL - Single Wall Vertical or Horizontal Connector	10 in. / 254 mm	16 in. / 406 mm	16.5 in. / 419 mm	26 in. / 660 mm	9.5 in. / 241 mm	20 in. / 508 mm
RESIDENTIAL - Double Wall Vertical or Horizontal Connector	6.5 in. / 165 mm	16 in. / 406 mm	13 in. / 330 mm	26 in. / 660 mm	7 in. / 178 mm	17.5 in. / 445 mm
MOBILE HOME - Double Wall Vertical only Connector	10 in. / 254 mm	20 in. / 508 mm	16.5 in. / 419 mm	30 in. / 762 mm	13 in. / 330 mm	23.5 in. / 597 mm
WITH SIDE SHIELDS	G	H	I	J		
RESIDENTIAL ALCOVE - Double Wall Vertical only Connector	6.5 in. / 165 mm	16 in. / 406 mm	13 in. / 330 mm	26 in. / 660 mm		

PACIFIC ENERGY FIREPLACE PRODUCTS
www.pacificenergy.net