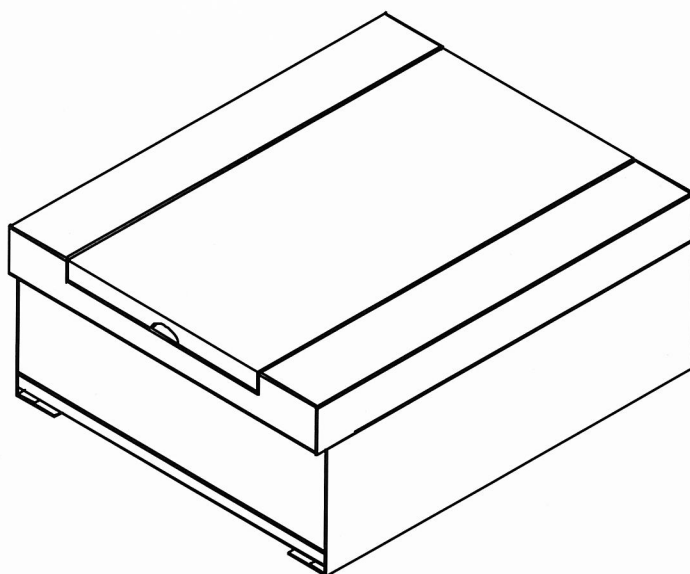


CE 1008

grandhall[®]
australian style

gas barbecue



Extendable Side Burner

Extendable Sear Burner

- Ⓘ Ⓒ Assembly instructions
- Ⓒ Ⓕ Instructions d'assemblage
- Ⓐ Ⓒ Ⓓ Montageanweisungen
- Ⓒ Ⓘ Istruzioni per il montaggio
- Ⓒ Ⓐ Montage-instructies
- Ⓒ Montering
- Ⓕ Kokoamisohjeet
- Ⓒ Instrucciones de armado
- Ⓐ Instruções para Montagem
- Ⓓ Monteringsvejledning
- Ⓐ Montering
- Ⓕ Upute za montažu
- Ⓒ Navodila za montažo

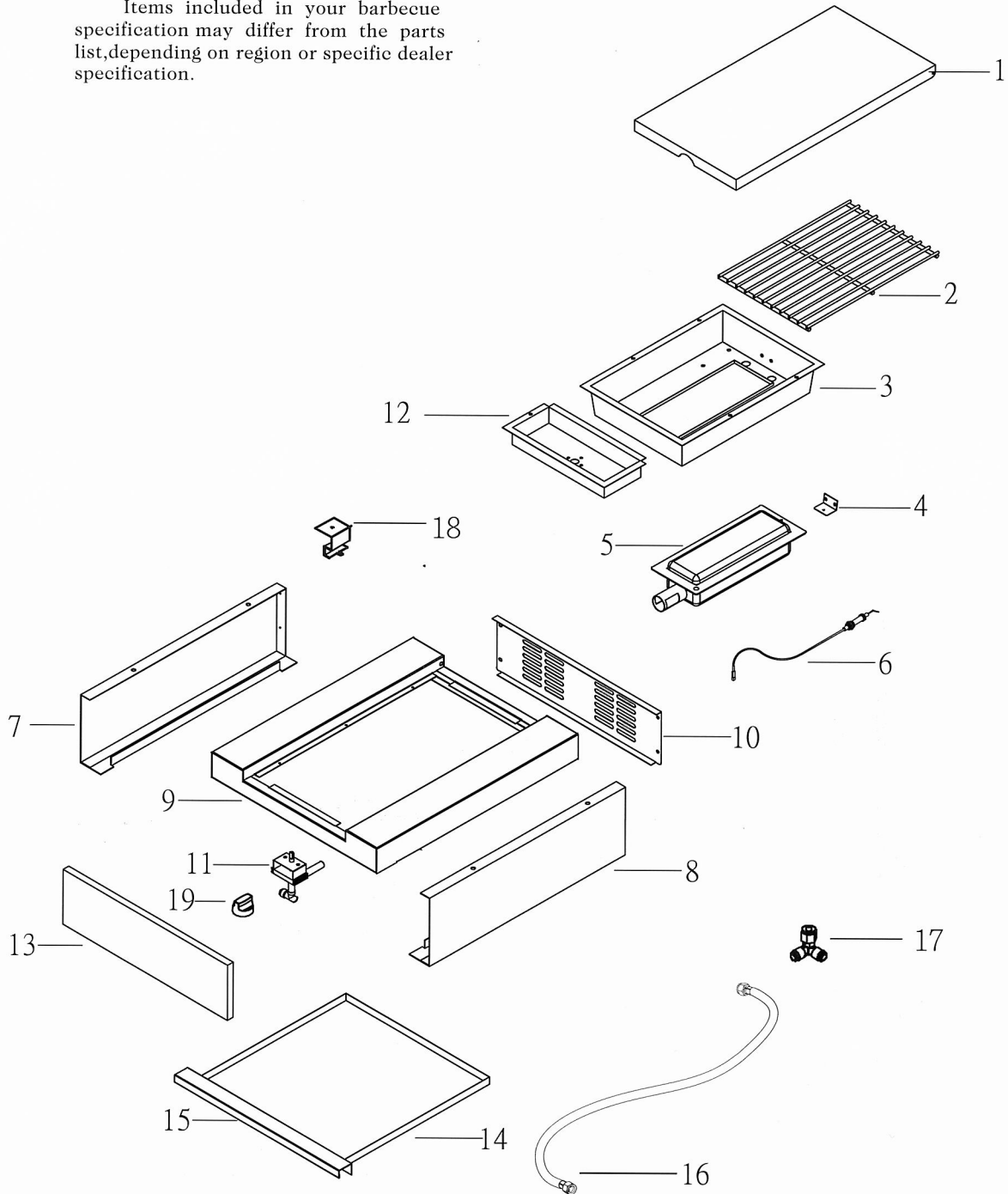
PARTS LIST-Extendable Sear Burner

NO	DESCRIPTION	Part No.	Qty
1	Side Burner Lid	S0208-06	1
2	Side Burner Cooking Grid	S0208-01	1
3	Side Burner Body	S0205-18-S430	1
4	Side Burner Mounting Bracket	S0205-41-S430	1
5	Side Burner	S0202-21	1
6	Electrode-Side Burner	S0205-44	1
7	Bowl Panel, Left	S0173-01	1
8	Bowl Panel, Right	S0173-02	1
9	Side Shelf Trim Plate	S0149-13-S430	1
10	Bowl Panel, Rear	S0173-04	1
11	Valve-Side Burner	S0173-08B	1
12	Side Burner Control Knob Housing	S0205-19	1
13	Control Panel	S0173-03	1
14	Grease Tray	S0173-07B	1
15	Grease Tray Handle	S0173-06	1
16	Hose	S0146-231	1
17	Adaptor	S0165-09	1
18	Hose Bracket	S0146-207	1
19	Control Knob-Side Burner	S0157-46	1

Extendable Sear Burner-Model

This diagram is provided to assist you identify parts if replacement is necessary. Contact your place of purchase or the service agent to enquire about parts availability and or service.

Items included in your barbecue specification may differ from the parts list, depending on region or specific dealer specification.



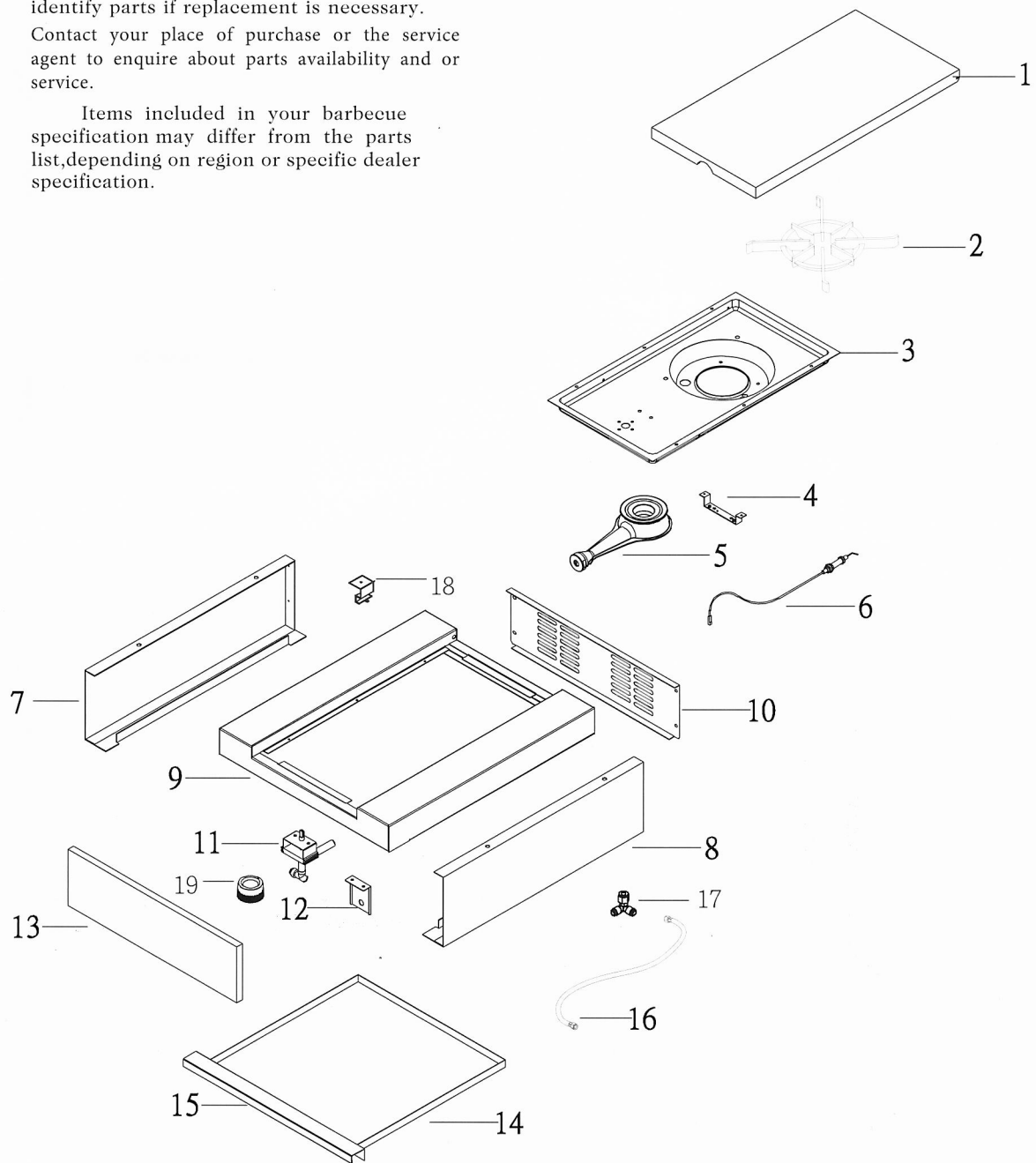
PARTS LIST- side burner

NO	DESCRIPTION	Part No.	Qty
1	Side Burner Lid	S0149-21-S304	1
2	Side Burner Pot Support	P00815008A	1
3	Side Burner Body	P011030612	1
4	Side Burner Mounting Bracket	P03327024D	1
5	Side Burner	P02004043F	1
6	Electrode-Side Burner	P02607060C	1
7	Bowl Panel, Left	S0173-01-S304	1
8	Bowl Panel, Right	S0173-02-S304	1
9	Side Shelf Trim Plate	S0149-13-S304	1
10	Bowl Panel, Rear	S0173-04-S304	1
11	Valve-Side Burner	S0173-08	1
12	Burner Bracket -Side Burner	P03303150U	1
13	Control Panel	S0173-03-S304	1
14	Grease Tray	S0173-07	1
15	Grease Tray Handle	S0173-06-S304	1
16	Hose	S0146-206	1
17	Adaptor	P03904001A	1
18	Hose Bracket	P03341002Q	1
19	Control Knob-Side Burner	P03408101L	1

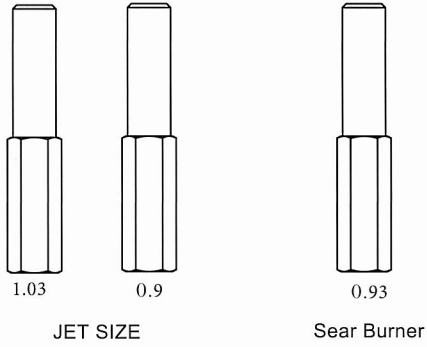
Extendable side burner-Model

This diagram is provided to assist you identify parts if replacement is necessary. Contact your place of purchase or the service agent to enquire about parts availability and or service.

Items included in your barbecue specification may differ from the parts list, depending on region or specific dealer specification.



INJECTOR



• Main	1.03 mm	- I 3+ (28-30/37)
		- I 3B/P (30)
	0.9 mm	I 3B/P (50)

Extendable Sear Burner

• Main	0.93 mm	- I 3B/P (50)
--------	---------	---------------

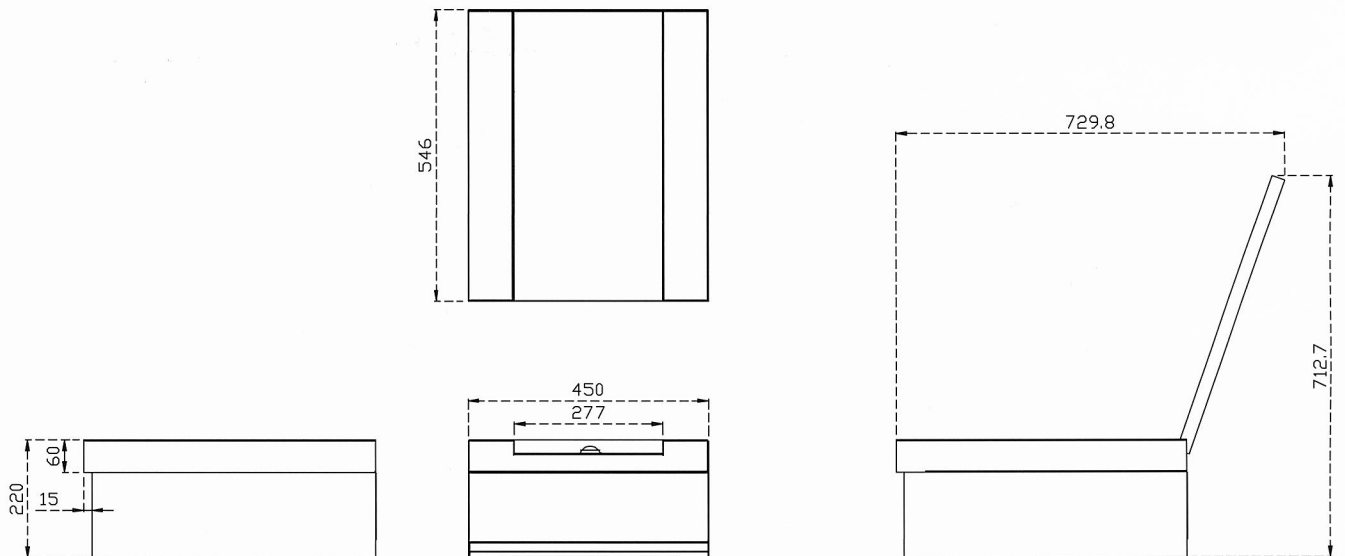
INPUT

• Main	4.4 kW	- 319 grams / h
--------	--------	-----------------

Extendable Sear Burner

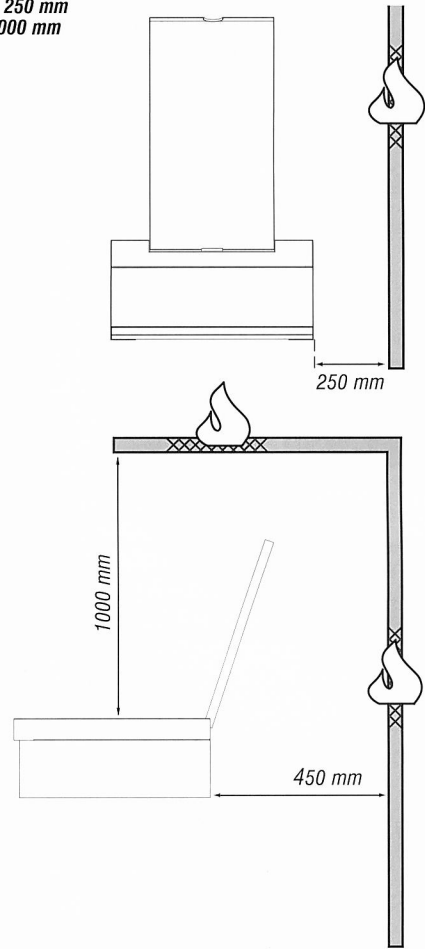
• Main	4.6 kW	- 334 grams / h
--------	--------	-----------------

DIMENSIONS

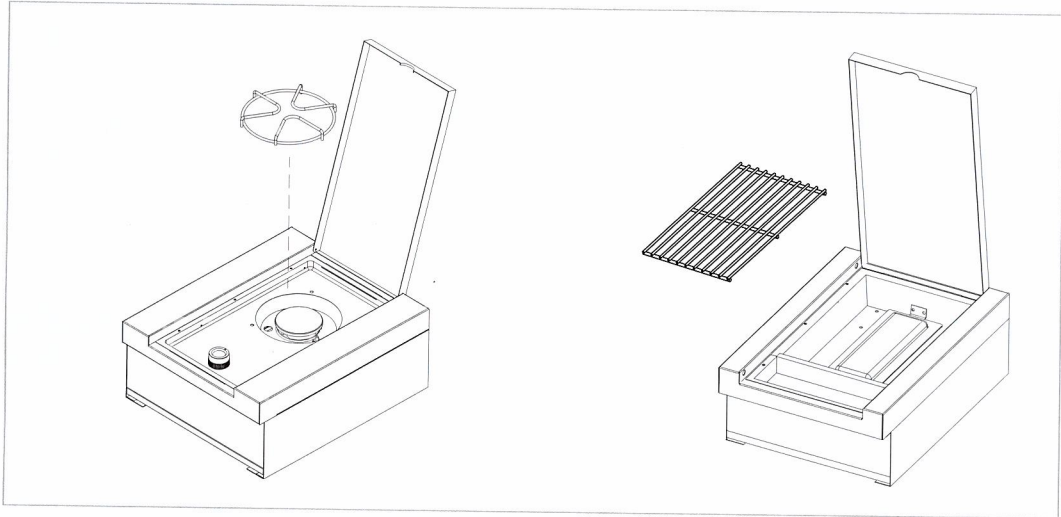


WARNINGS INFORMATION

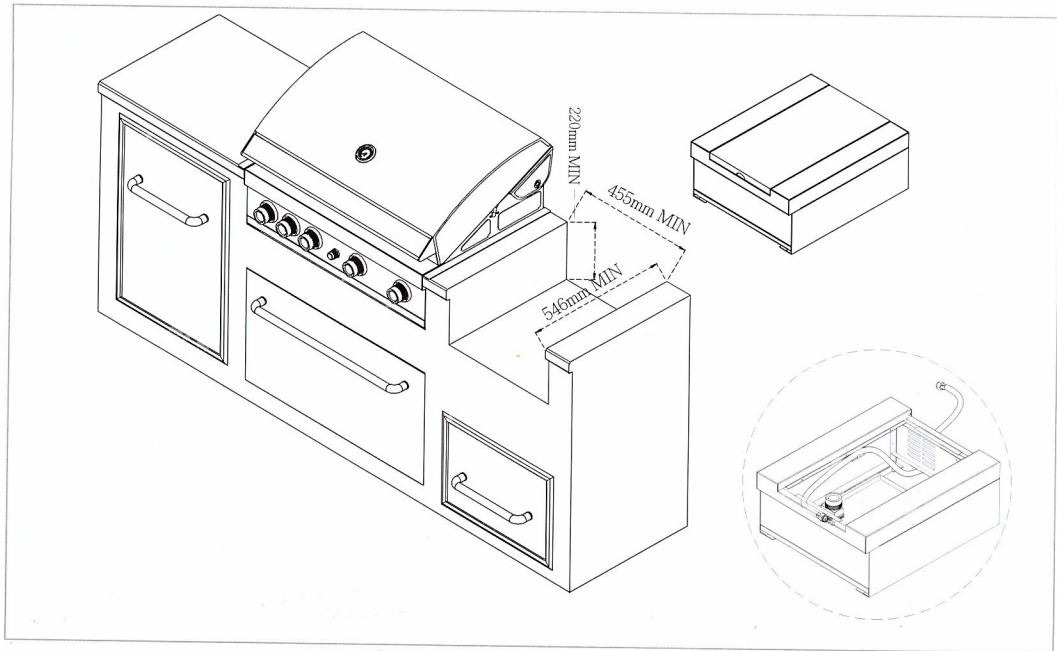
- MINIMUM CLEARANCES FROM COMBUSTIBLE MATERIALS MUST BE:
 REAR - 450 mm
 SIDES - 250 mm
 TOP - 1000 mm



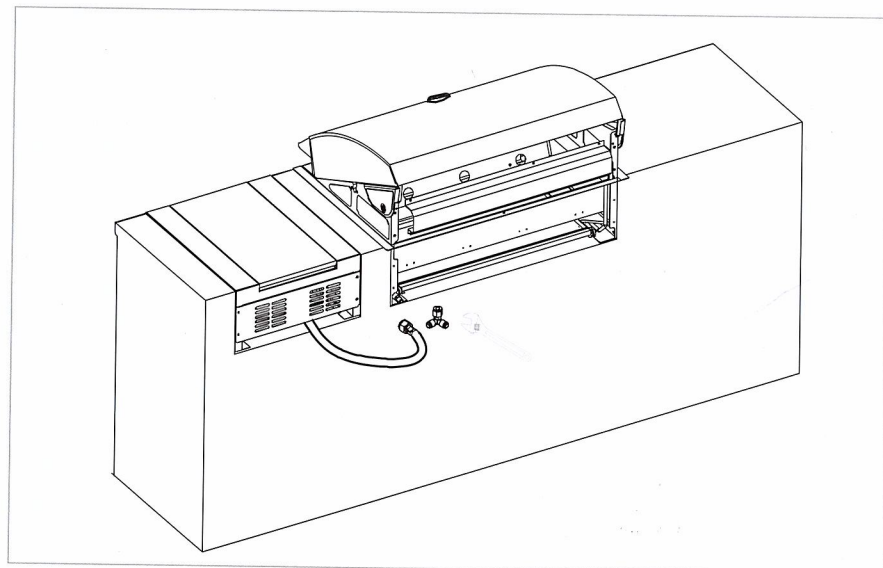
1.



2.



3.



The OLD Com B.V.
Tolstraat 17A
7482 DC Haaksbergen
The Netherlands
T: +31 (0) 53 231 3010
M: +31 (0) 6 466 120 17

grandhall@grandhall.eu

(IE) (GB) NOTE: This information is a guide only. Items included in your BBQ specification may differ depending on region or specific dealer specification.

(CH) (FR) NOTE: Ces renseignements sont donnés à titre indicatif. Il est possible que les articles inclus dans les spécifications de votre barbecue diffèrent selon la région ou les caractéristiques stipulées par le concessionnaire.

(AT) (CH) (DE) ANMERKUNG: Diese Anleitung dient nur zu Informationszwecken. Einzelteile der Grillspezifikation sind unter Umständen verschieden entsprechend der Vertriebsregion oder bestimmten Händleranforderungen.

(CH) (IT) AVVERTENZA: Queste informazioni hanno il valore di guida soltanto. Gli articoli compresi nelle caratteristiche tecniche del barbecue potrebbero variare a seconda della regione o del concessionario.

(BE) (NL) ATTENTIE: Deze informatie is alleen bedoeld als gids. Onderdelen in uw BBQ specificatie kunnen per regio of per dealer verschillen.

(SE) ANM: Denna information är endast avsedd som handledning. Specifikationerna för grillen kan variera regionalt eller beroende på de krav som olika återförsäljare har.

(FI) HUOMATKAA: Nämä tiedot ovat pelkästään suuntaa antavia. Ostamanne grillin yksityiskohdat voivat olla erilaiset paikkakunnan tai erityisten myyjäkohtaisten yksityiskohtien mukaan.

(ES) NOTA: Esta información es una guía únicamente. Es posible que las indicaciones incluidas en las especificaciones de su Asador sean diferentes según la región o las especificaciones específicas del representante.

(PT) NOTA: Esta informação é simplesmente um guia. Os itens incluídos na especificação do seu BBQ poderão diferir dependendo da especificação da região ou do vendedor específico.

(DK) NB: Denne information er kun vejledende. Specifikationer kan variere efter ønske fra forhandler, eller i henhold til nationale regler.

(NO) NB: Denne informasjon er kun veiledende. Spesifikasjoner kan variere som stipulert av forhandler, eller i henhold til nasjonale krav.

(HR) UPOZORENJE: Ova uputa služi samo u informativne svrhe. Pojedini dijelovi specifikacije roštilja su različiti od onih koji su propisani Vašim mjestom boravka ili koje su propisali razni distributeri i ovlaštenici za plinske roštilje.

(SI) OPOZORILO: Ta navodila so samo informativne narave. Posamezni deli iz specifikacije žara so lahko različni od tistih, kateri so predpisani v vaši regiji ali katere so predpisali distributerji in pooblaščenici zastopniki za plinske žare.

All specifications are subject to change without notice.

Toutes les caractéristiques sont susceptibles d'être modifiées sans préavis.

Änderungen ohne vorherige Bekanntgabe vorbehalten.

Tutti i dati tecnici possono cambiare senza preavviso.

Alle specificaties kunnen zonder voorafgaande kennisgeving worden gewijzigd.

Kaikki oikeudet teknisten tietojen muutoksiin pidätetään.

Kaikki yksityiskohdat voivat muuttua ilman, etta niistä erikseen ilmoitetaan.

Todas las especificaciones están sujetas a cambios sin previo aviso.

Todas as especificações estão sujeitas a alteração sem aviso.

Moguće su promjene bez prethodnih najava.

Možne so spremembe brez predhodnih najav.

Manufactured by
Zhuhai Prokan Relaxation Equipment Co., Ltd.
Jinfa Industrial Area Of Jinding Town, Zhuhai,
Guangdong, China

01/2019 Version 1.0 Part
NO.PK00072019AE